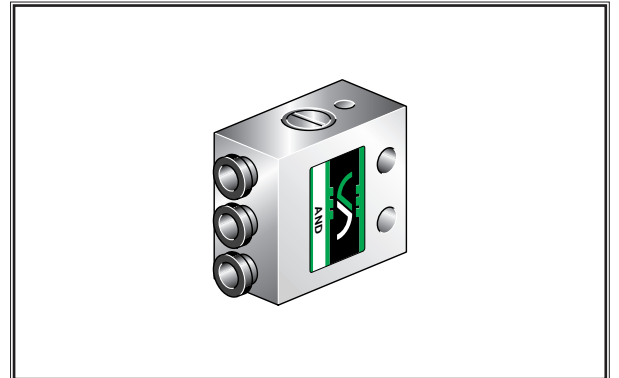
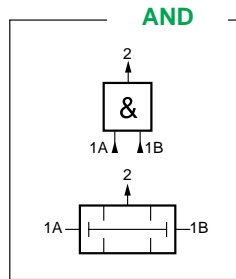
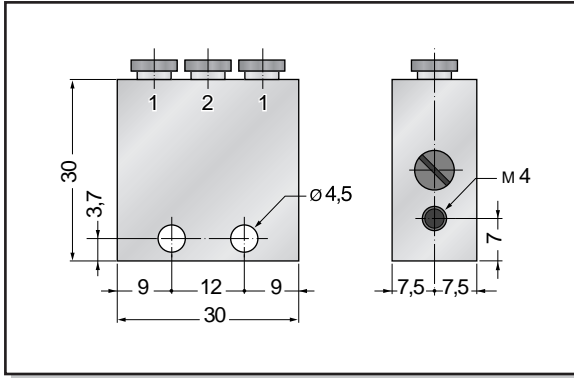
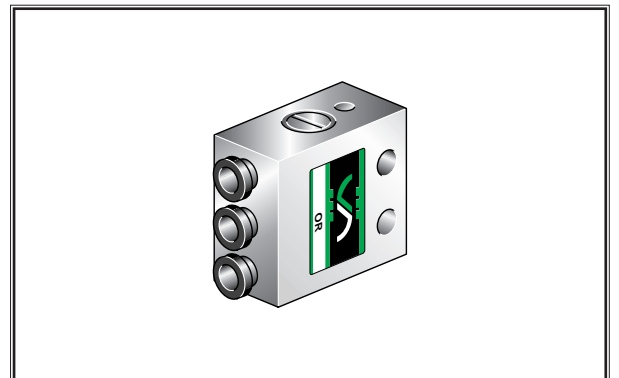
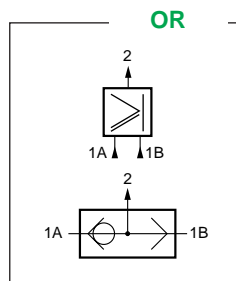
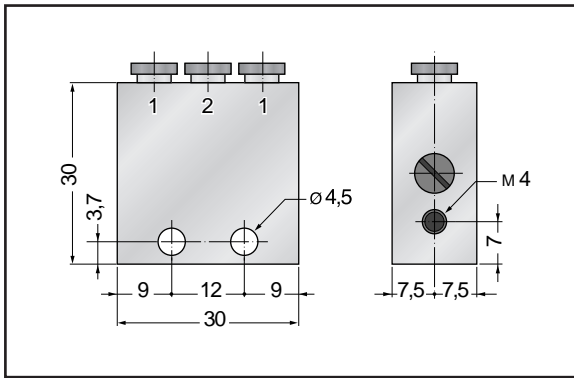


AUTOMATIC MICROVALVES PUSH-IN Ø4 mm / MICROVALVOLE AUTOMATICHE TUBO Ø4 mm

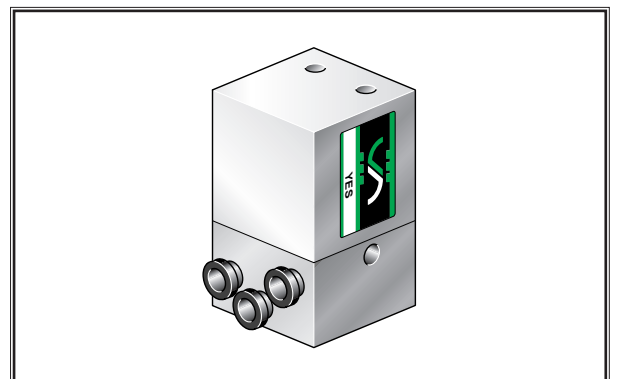
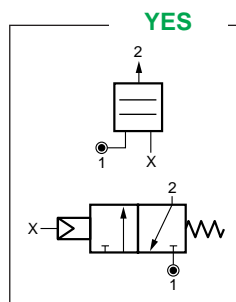
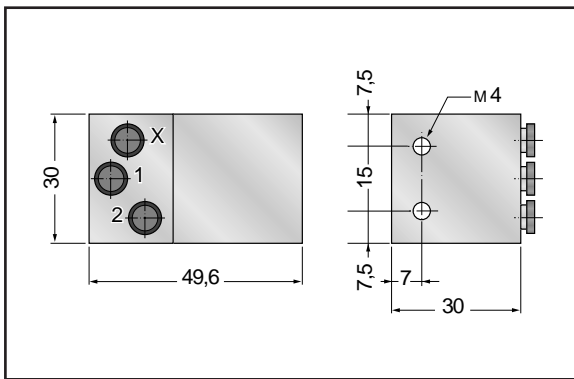
LOGIC ELEMENT / UNITA' LOGICA **AND 42**



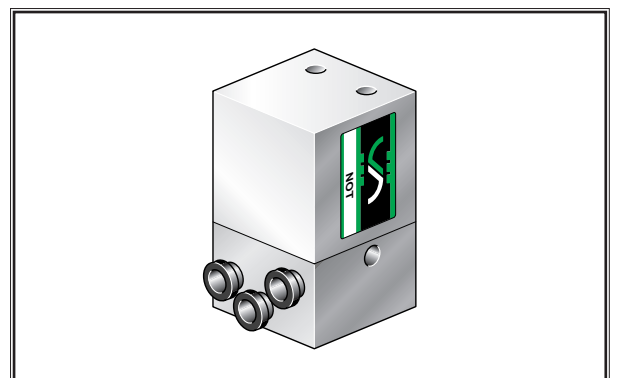
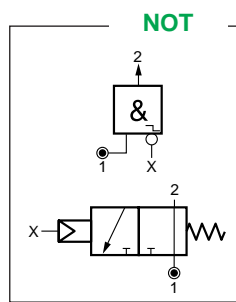
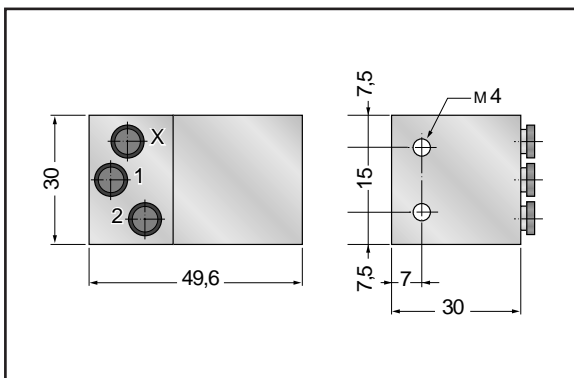
LOGIC ELEMENT / UNITA' LOGICA **OR 42**



LOGIC ELEMENT / UNITA' LOGICA **YES**



LOGIC ELEMENT / UNITA' LOGICA **NOT**



VALVOLE ED ELETTROVALVOLE