



## PEDAL VALVES - VFPP SERIES

### G1/4" PORTS

#### **Technical features:**

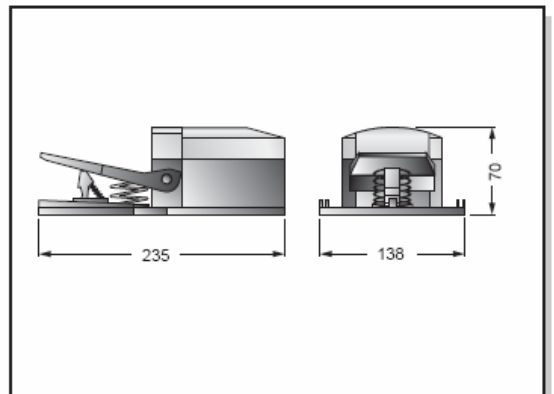
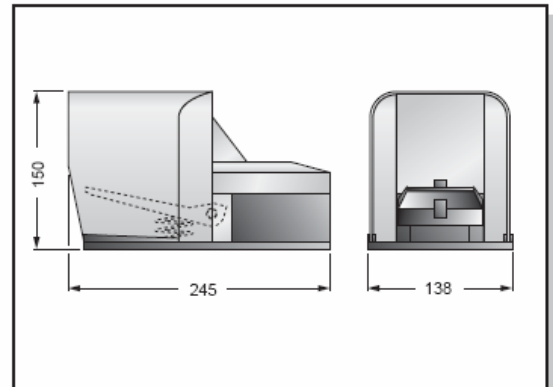
- Body: Thermoplastic (Moplen) with metal insert
- Cover (colour): Yellow
- Accessories: security lever, bistable valve

#### **5/2 valve (5 ways)**

- Threaded ports G 1/4"
- Working pressure range : 2...10 bar
- Working temperature range : -10°C.. +60°C
- Filtered air
- Body: aluminium

#### **Versions:**

- bistable , with mechanical lock



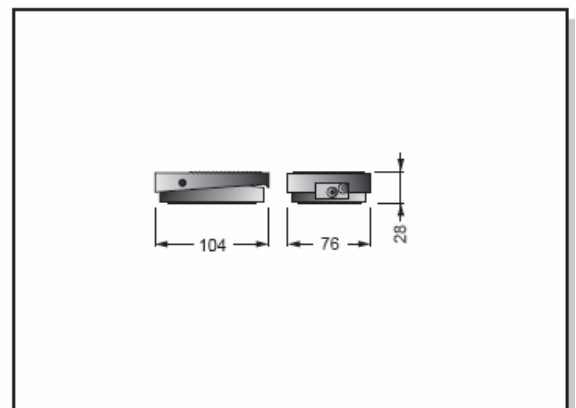
### Ø 4 PORTS

#### **Technical Features:**

- Body : in thermoplastic (Nylon 6)
- Colour : Black
- Valve : 3-ways (port connection Ø4)

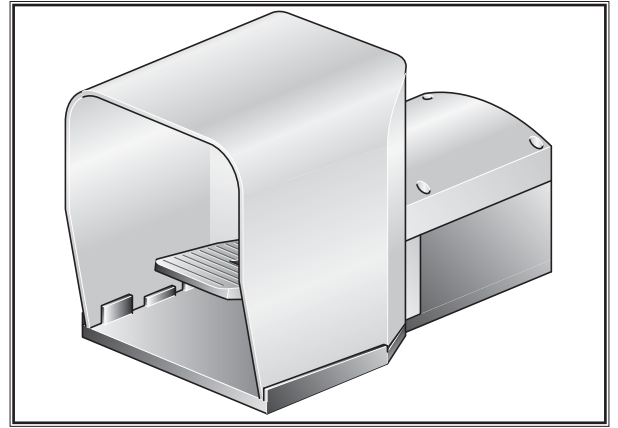
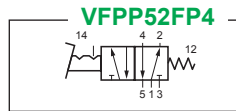
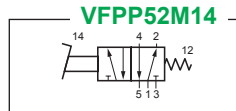
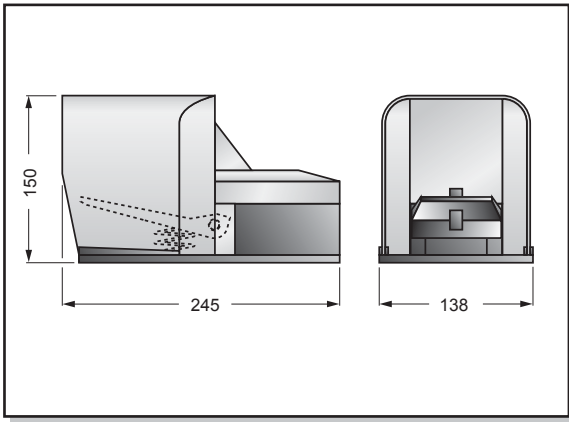
#### **Valve (technical features) :**

- Body: aluminium
- Working temperature range : -10°C.. +60°C
- Working pressure range: 2 - 10 bar
- Ports: Ø4

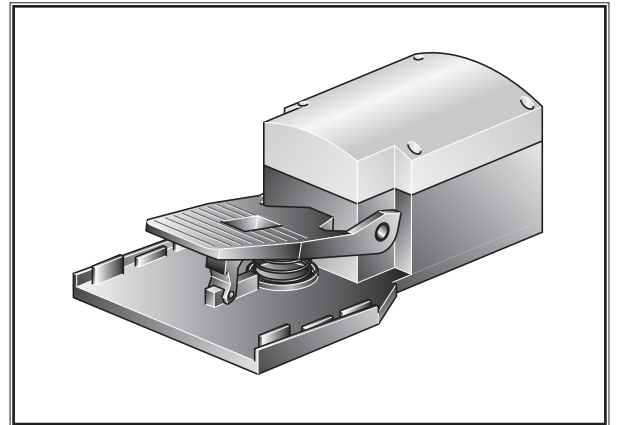
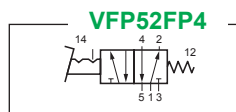
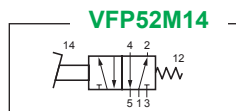
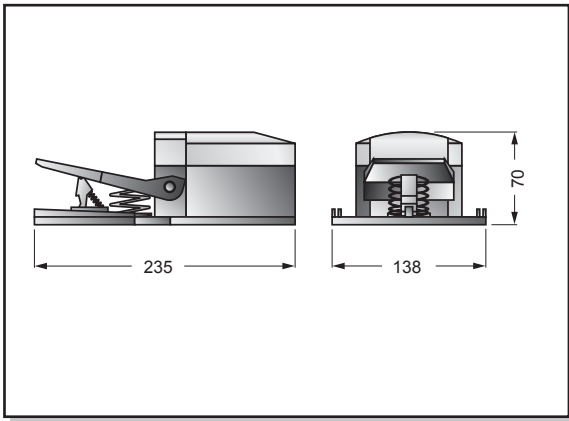


## FOOT-PEDAL VALVES / VALVOLE COMANDO A PEDALE

### PORT CONNECTION G1/4 - FOOT-PEDAL VALVE / CONNESSIONI G1/4 - COMANDO A PEDALE **VFPP52..4**



### PORT CONNECTION G1/4 - FOOT-PEDAL VALVE / CONNESSIONI G1/4 - COMANDO A PEDALE **VFP52..4**



### PORT CONNECTION Ø4 - FOOT-PEDAL VALVE / CONNESSIONI Ø4 - COMANDO A PEDALE **VFPMA304**

