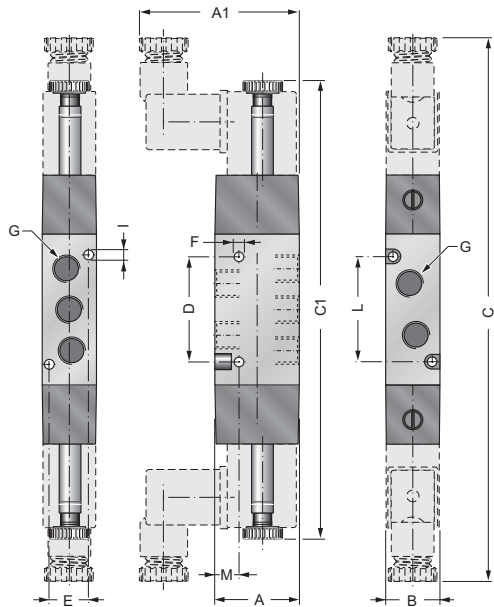


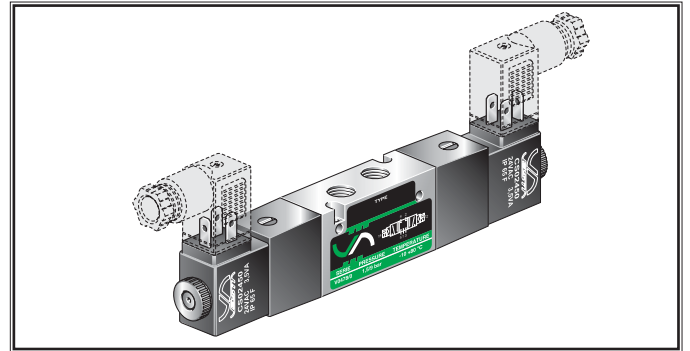
VALVE / VALVOLA 5/3

DOUBLE PNEUMATIC PILOT (MID-POSITION PRESSURIZED) / **DOPPIO COMANDO PNEUMATICO (CENTRI IN PRESSIONE)**
 DOUBLE PNEUMATIC PILOT (MID-POSITION CLOSED) / **DOPPIO COMANDO PNEUMATICO (CENTRI CHIUSI)**
 DOUBLE PNEUMATIC PILOT (MID-POSITION EXHAUSTED) / **DOPPIO COMANDO PNEUMATICO (CENTRI APERTI)**

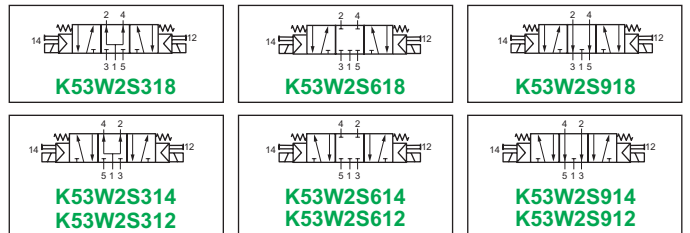


| Size Taglia | A | A1 | B | C | C1 | D | E | ØF | G | Ø | L | M |
|----------------|----|-----|----|------|------|------|------|-----|------|-----|----|-----|
| 1/8 | 28 | ~53 | 18 | 180 | ~152 | 35 | 13 | 3,2 | G1/8 | 3,2 | 35 | 8 |
| 1/4 | 32 | ~55 | 22 | 202 | ~174 | 50 | 16,2 | 4,2 | G1/4 | 3,5 | 50 | 7,3 |
| 1/2 | 50 | ~75 | 30 | ~240 | ~210 | 45,6 | - | 5,2 | G1/2 | - | - | 11 |

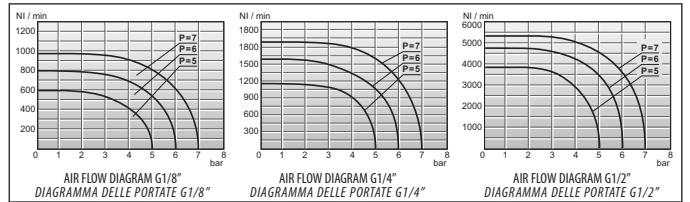
K53W2S . 1.



SIMBOLS / SIMBOLI

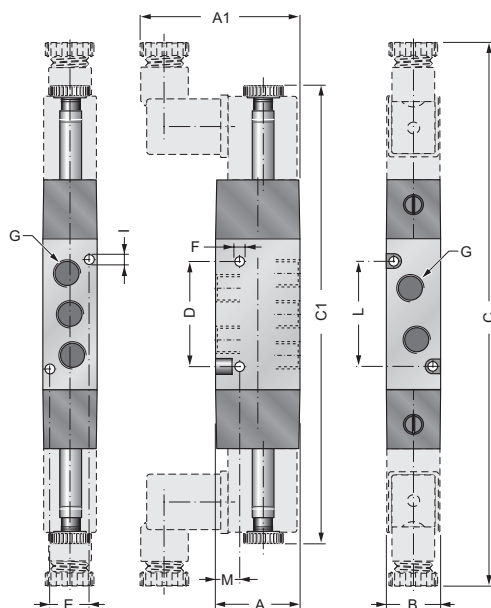


DIAGRAMS / DIAGRAMMI



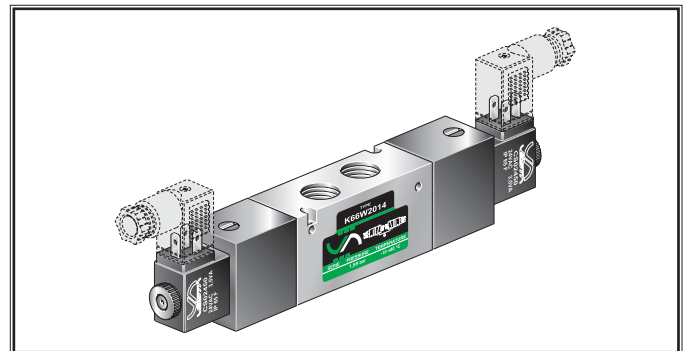
DOUBLE 3/2 VALVE / DOPPIA VALVOLA 3/2

DUBLE 3/2 N.C. SPRING RETURN VALVE
DOPPIA VALVOLA 3/2 N.C. RITORNO A MOLLA MECCANICA

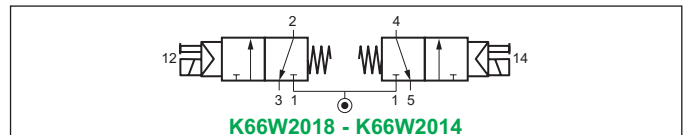


| Size Taglia | A | A1 | B | C | C1 | D | E | ØF | G | Ø | L | M |
|----------------|----|-----|----|-----|------|----|------|-----|------|-----|----|-----|
| 1/8 | 28 | ~53 | 18 | 180 | ~152 | 35 | 13 | 3,2 | G1/8 | 3,2 | 35 | 8 |
| 1/4 | 32 | ~55 | 22 | 202 | ~174 | 50 | 16,2 | 4,2 | G1/4 | 3,5 | 50 | 7,3 |

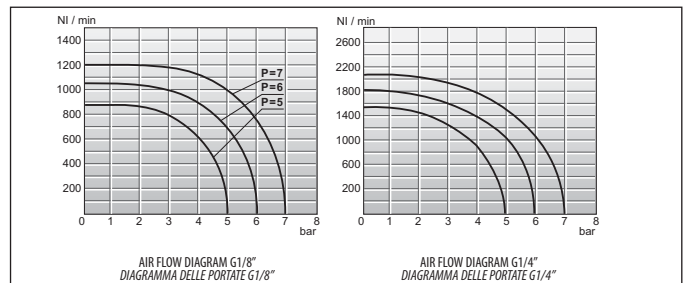
K66W201.



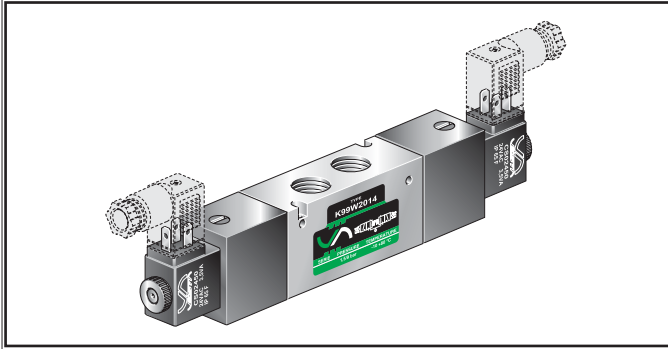
SIMBOLS / SIMBOLI



DIAGRAMS / DIAGRAMMI



K99W201.

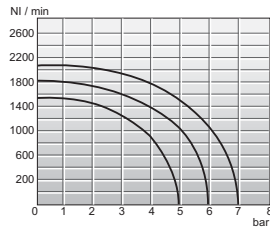
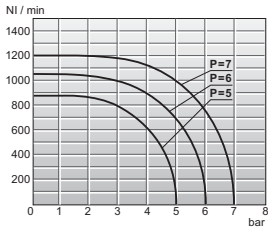


SIMBOLS / SIMBOLI



K66W2018 - K66W2014

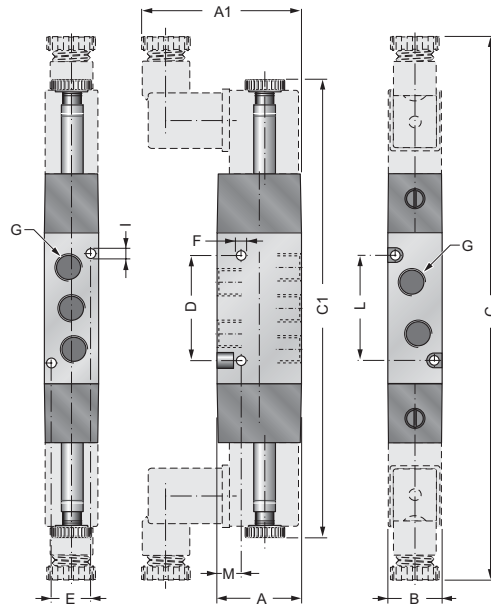
DIAGRAMS / DIAGRAMMI



DOUBLE 3/2 VALVE / DOPPIA VALVOLA 3/2

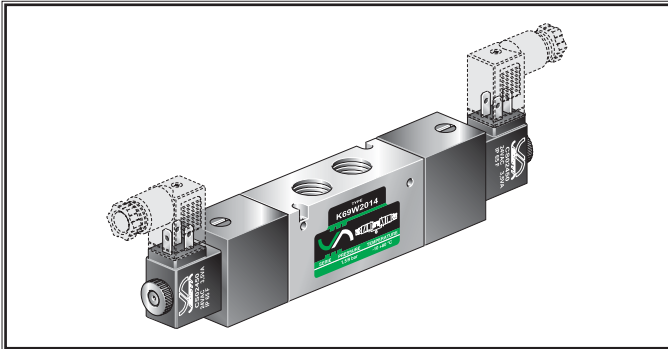
DUBLE 3/2 N.O. SPRING RETURN VALVE

DOPPIA VALVOLA 3/2 N.O. RITORNO A MOLLA MECCANICA

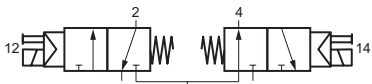


| Size | A | A1 | B | C | C1 | D | E | ØF | G | ØI | L | M |
|------|----|-----|----|-----|------|----|------|-----|------|-----|----|-----|
| 1/8 | 28 | ~53 | 18 | 180 | ~152 | 35 | 13 | 3,2 | G1/8 | 3,2 | 35 | 8 |
| 1/4 | 32 | ~55 | 22 | 202 | ~174 | 50 | 16,2 | 4,2 | G1/4 | 3,5 | 50 | 7,3 |

K69W201.

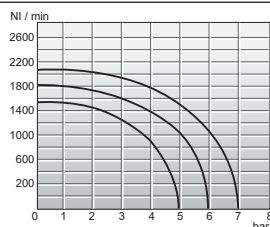
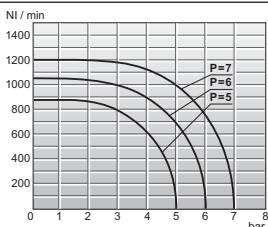


SIMBOLS / SIMBOLI



K69W2018 - K69W2014

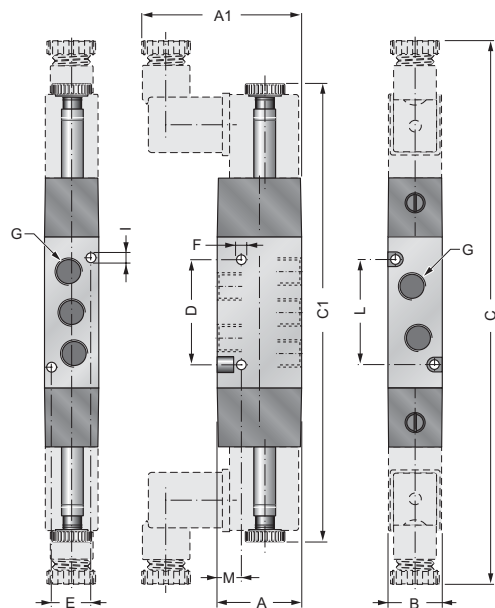
DIAGRAMS / DIAGRAMMI



DOUBLE 3/2 VALVE / DOPPIA VALVOLA 3/2

3/2 N.C. + 3/2 N.O. VALVES SPRING RETURN

VALVOLA 3/2 N.C. + VALVOLA 3/2 N.O. RITORNO A MOLLA MECCANICA



| Size | A | A1 | B | C | C1 | D | E | ØF | G | ØI | L | M |
|------|----|-----|----|-----|------|----|------|-----|------|-----|----|-----|
| 1/8 | 28 | ~53 | 18 | 180 | ~152 | 35 | 13 | 3,2 | G1/8 | 3,2 | 35 | 8 |
| 1/4 | 32 | ~55 | 22 | 202 | ~174 | 50 | 16,2 | 4,2 | G1/4 | 3,5 | 50 | 7,3 |